



KONE MONOSPACE® 500 DX

CONFIGURATIONS & DIMENSIONS

Max Travel 350 ft. (106.7 m)

Speed

500, 700 fpm
(2.54, 3.55 m/s)

Car Height (F)

8, 9 or 10 ft.
(2438, 2743 or 3048 mm)

Entrance Height (G)

7, 8 or 9 ft.
(2134, 2438 or 2743 mm)

			(A)	(A) SEISMIC	(B)	(B) SEISMIC	(C)	(D)	(E)		
		CAPACITY LBS. (kg)	OPENING TYPE†	HOISTWAY WIDTH (mm)	HOISTWAY WIDTH (mm)	HOISTWAY DEPTH (mm)	HOISTWAY DEPTH (mm)	INTERIOR WIDTH (mm)	INTERIOR DEPTH (mm)	DOOR WIDTH (mm)	STRETCHER ACCOMMODATION ⁽⁷⁾
FRONT OPENING	PASSENGER	2000 (907)	SSP	8'-1 1/4" (2472)	8'-3 5/8" (2531)	5'-11 5/8" (1821)	6'-0 1/2" (1843)	5'-8 3/8" (1750)	4'-4 3/8" (1332)	3'-0" (914)	No
		2500 (1134)	SSP / CO	9'-1 3/8" (2777)	9'-3 5/8" (2835)	5'-11 5/8" (1821)	6'-0 1/2" (1843)	6'-8 3/8" (2055)	4'-4 3/8" (1332)	3'-6" (1067)	No
		2500 IBC (1134) ⁽⁷⁾	SSP	9'-4 1/8" (2849)	9'-6 1/2" (2908)	5'-11 5/8" (1821)	6'-0 1/2" (1843)	6'-11 3/4" (2128)	4'-4 3/8" (1332)	3'-6" (1067)	Yes
		3000 (1361)	SSP / CO	8'-10" (2693)	9'-0" (2743)	6'-8 1/8" (2035)	6'-9" (2057)	6'-5 3/8" (1971)	5'-0 3/8" (1536)	3'-6" (1067)	No
		3500 (1588)	SSP / CO	8'-10" (2693)	9'-0" (2743)	7'-3" (2210)	7'-4" (2235)	6'-5 3/8" (1971)	5'-6 3/8" (1693)	3'-6" (1067)	Yes
		4000 (1814)	CO	9'-11 1/8" (3026)	10'-0 3/4" (3068)	7'-3" (2210)	7'-4" (2235)	7'-6 1/8" (2304)	5'-6 3/8" (1693)	4'-0" (1219)	Yes
FRONT & REVERSE OPENING	PASSENGER	2000 (907)	SSP	8'-1 1/4" (2472)	8'-3 5/8" (2531)	6'-3 3/4" (1924)	6'-3 3/4" (1924)	5'-8 3/8" (1750)	4'-4 3/8" (1332)	3'-0" (914)	No
		2500 (1134)	SSP / CO	9'-1 3/8" (2777)	9'-3 5/8" (2835)	6'-3 3/4" (1924)	6'-3 3/4" (1924)	6'-8 3/8" (2055)	4'-4 3/8" (1332)	3'-6" (1067)	No
		2500 IBC (1134) ⁽⁹⁾⁽⁷⁾	SSP	9'-4 1/8" (2848)	9'-6 1/2" (2908)	6'-3 3/4" (1924)	6'-3 3/4" (1924)	6'-11 3/4" (2128)	4'-4 3/8" (1332)	3'-6" (1067)	Yes
		3000 (1361)	SSP / CO	8'-10" (2693)	9'-0" (2743)	6'-11 3/4" (2127)	6'-11 3/4" (2127)	6'-5 3/8" (1971)	5'-0 3/8" (1536)	3'-6" (1067)	No
		3500 (1588) ⁽⁷⁾	SSP / CO	8'-10" (2693)	9'-0" (2743)	7'-6" (2286)	7'-6" (2286)	6'-5 3/8" (1971)	5'-6 3/8" (1693)	3'-6" (1067)	Yes*
		4000 (1814)	CO	9'-11 1/8" (3026)	10'-0 3/4" (3068)	7'-6" (2286)	7'-6" (2286)	7'-6 1/8" (2304)	5'-6 3/8" (1693)	4'-0" (1219)	Yes

† SSP = Single Speed Side Opening / CO = Single Speed Center Opening

CLEAR OVERHEAD (H) AND PIT DEPTH (I)	CAPACITY LBS. (kg) FT. (m)			
	500 FPM (2.54 M/S)		700 FPM (3.55 M/S)	
	PIT DEPTH (mm)	CLEAR OVERHD (mm)	PIT DEPTH (mm)	CLEAR OVERHD (mm)
2000 to 3500 ≤ 150 ft (1588) (45.7)	5'-11" (1803)	17'-2" (5232)	9'-8" (2946)	17'-2" (5232)
2000 to 3500 > 150 ft (1588) (45.7)	6'-8" (2032)	17'-2" (5232)	10'-5" (3175)	17'-2" (5232)
4000 ≤ 150 ft (1814) (45.7)	5'-11" (1803)	17'-2" (5232)	-	-
4000 > 150 ft (1814) (45.7)	6'-8" (2032)	17'-2" (5232)	-	-

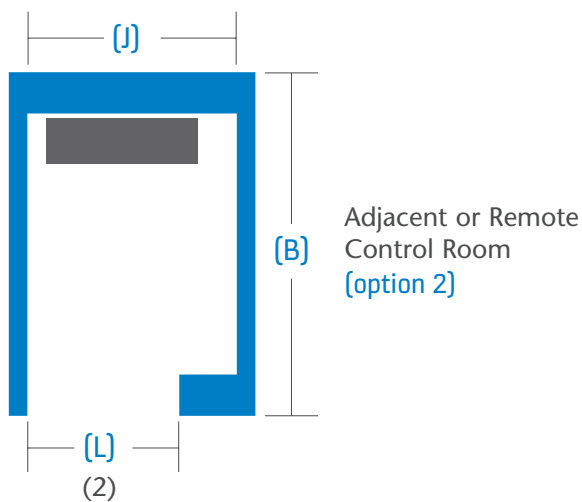
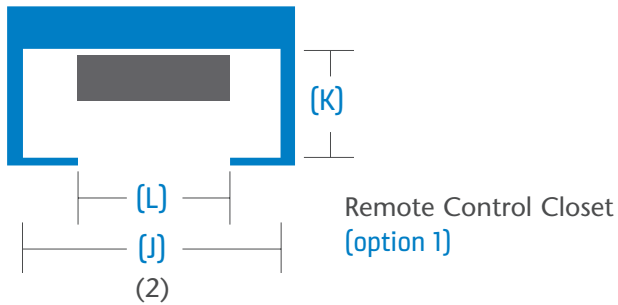
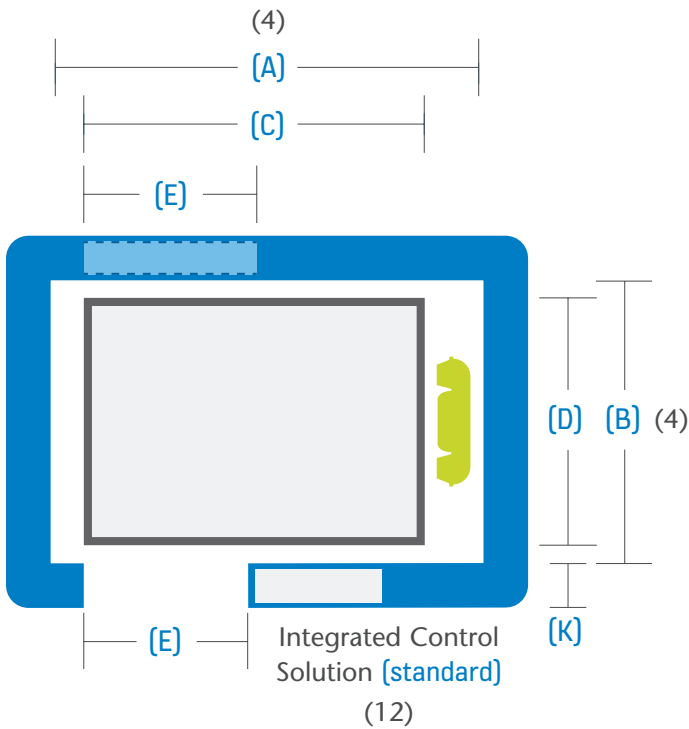
CAPACITY LBS. (kg)	CONTROL SPACE	(J)	(K)	(L)
		WIDTH (mm)	DEPTH (mm)	DOOR WIDTH (mm)
2000 to 4000 (907 to 1814)	Jamb Mounted Integrated Control Solution ⁽¹²⁾	-	1'-2 1/4" (362)	-
2000 to 4000 (907 to 1814)	Remote Room	4'-1" (1245) ⁽¹¹⁾	1'-8" (508) ⁽¹¹⁾	3'-6" (1067) ⁽¹¹⁾
2000 to 4000 (907 to 1814)	Adjacent or Remote Room	5'-0" (1524)	Dimension (B)	3'-0" (914) ⁽¹¹⁾

Visit kone.us for the latest project-specific details, CAD drawings, BIM models, CSI specifications, electrical data, reaction loads and building access requirements.

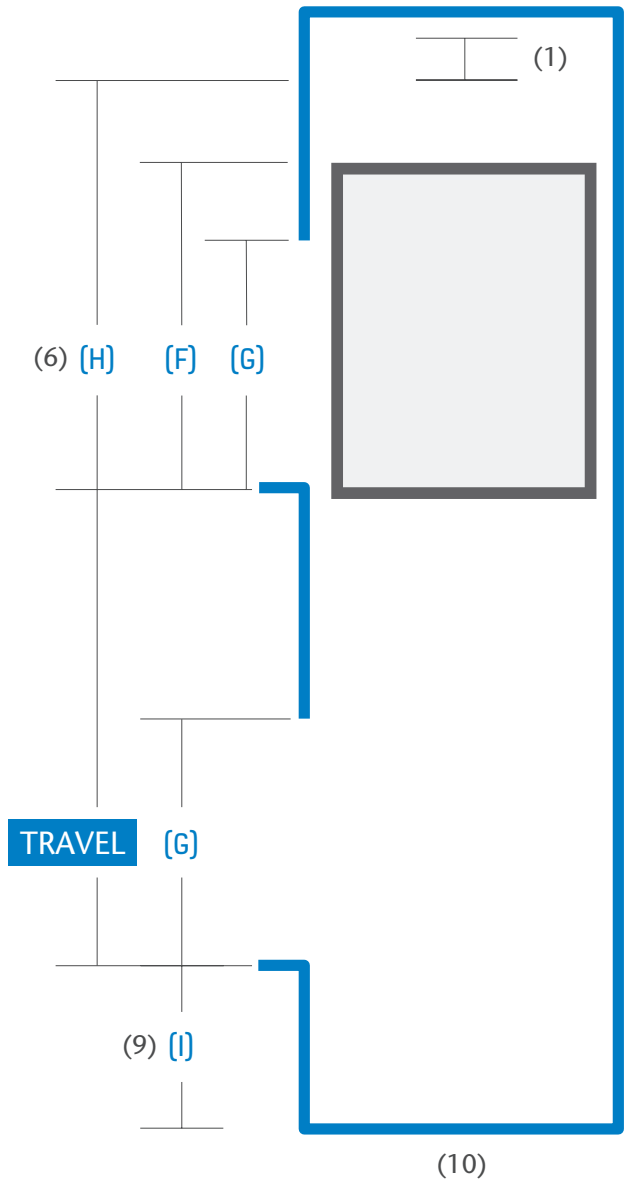
Notes

- (1) A hoist beam (by KONE) is required for installation (by others). Dimension (H) reflects clear under hoist beam.
 - (2) If an Emergency Battery Device (EBD) or KONE Destination is required, please contact your KONE Sales Professional for further detail regarding dimensions (J) and (L).
 - (3) The published (A) hoistway dimension represents the optimum clear inside requirements and maybe reduced by up to 2" (51mm). However, this may result in construction inefficiencies.
 - (4) The published interior width (C) and depth (D) dimensions represent the minimum clear inside requirements without raised panels. For interior width (C) and depth (D) dimensions with raised panels please contact a KONE Sales Professional.
 - (5) 2500 LB. IBC reverse opening must be diagonally opposed. For all other front and reverse opening configurations, hoistway width (A) is valid for directly opposed openings only. If diagonally opposed openings are required, please contact your KONE Sales Professional.
 - (6) All dimensions are based on an 8'-0" (2438 mm) cab with a 7'-0" (2134 mm) door. Alternate car and door heights are available, but will affect dimension (H).
 - (7) Stretcher accessibility based on international building code (IBC) and California Building Code specified, 24 inch by 84 inch stretcher — with 5-degree radius corners. Elevator car must utilize a side slide door with the exception of the 4000 LB. passenger shaped car. In Canada (NBCC) 2500 LB. and larger elevators with single slide doors meet Canadian stretcher rule of 2010mm x 610mm.
 - (8) If IBC 2018 or ASME A17.1-2019/CSA B44-19 code is applicable, contact your local sales professional for controller space configurations.
- *3500LB front / reverse elevator needs to have diagonal opposed doors and a wider recommend hoistway width of 8'-11" (9'-1" if seismic) to accommodate a stretcher. Please contact a KONE Sales Professional for more information.

Plan Views



Section View



Notes, continued:

Please consult a KONE Sales Professional regarding:

- (9) Smaller pit and overhead dimensions may be available per specific applications.
- (10) Occupied space beneath the hoistway is not allowed.
- (11) Local code variations when utilizing the integrated, integral and remote closet options.
- (12) Integrated Control Solution requires ≥ 460 V3 phase power.